

PANELite® Backlights

A versatile addition to the extensive line of our patented backlights.



PANELite® Backlight with acrylic diffuser plate, A23020



PANELite® Backlight with adhesive back, A23000

Typical Applications

- Glass Inspection
- Edge detection
- Photography
- Instrumentation display

Special Configurations

- Due to the special nature of these products, all models are made-to-order
- PANELite® backlights can be manufactured with different active areas, placement of outputs and mounting hole locations; contact us for a custom quote

NOTE: All standard PANELite® backlight configurations have the same input dimensions.

Product and Performance Characteristics

- Patented process creates diffuse, uniform illumination within the active area
- Slim profile to fit the most restrictive space requirements and economical since no housing is required
- Dependable performance built into three standard configurations, all with an IR filter included
- Flexible panel A23000 can create a seamless, curved background and can be trimmed to final size
- When used with a curved diffuser (not included) PANELite® backlights are ideal for multi-camera inspection of cylindrical surfaces
- Intended for use with strobes and ColdVision Series light sources; other sources, particularly those without an IR filter, may damage the plastic fibers
- Can be used with all of our dichroic color filters in conjunction with the A08931 backlight color filter adapter

PANELite® Backlights

Part No.	Description	Calibrated Area	Panel Size	Overall Thickness
A23000	Flexible, adhesive back	3" x 5" (76 x 127)	4" x 6" (102 x 152)	.05" (1.3)
*A23010	Non-flexible, black anodized aluminum back	3" x 5" (76 x 127)	4.8" x 9" (122 x 229)	.09" (2.3)
*A23020	Non-flexible, black anodized aluminum plate with acrylic diffuser plate	3" x 5" (76 x 127)	4.8" x 9" (122 x 229)	.5" (12.7)
* Made-to-order products				

PANELite® Backlight Options

Part No.	Description	
*A08931	Color filter adapter	Fits backlight light source adapters with .718" (18.2) diameter input size
* Made-to-order product		

Version 01.2017

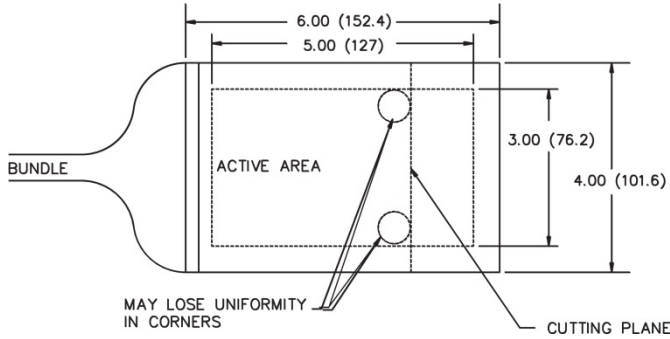


Specifications PANELite® Backlights

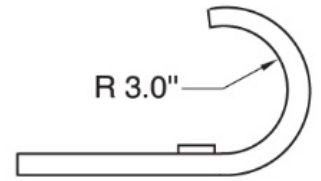
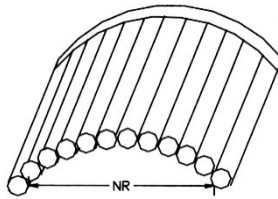
All standard PANELite® backlight configurations have the same input dimensions.

Dimensions in () are in mm

A23000 PANELite® Backlight

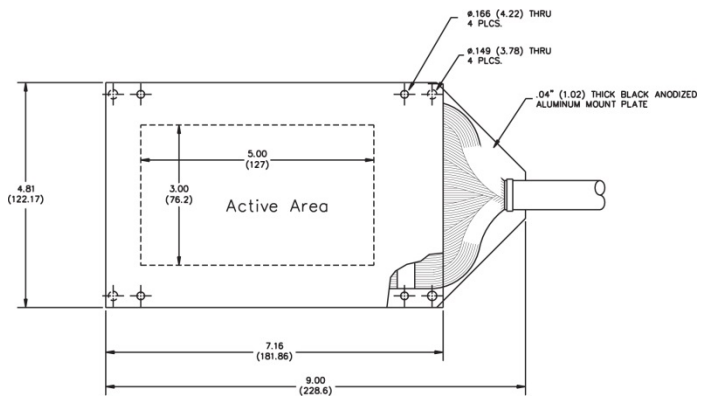
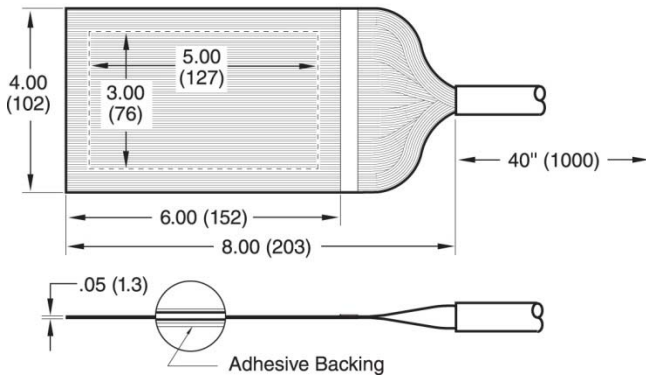


Warning : This product contains plastic fibers. To avoid fiber damage use only with SCHOTT or other approved light sources. Do not use input filters or diffusers without a SCHOTT adapter. Thermal transfer may cause damage to the fibers. All PANELite® Backlights have permanent input IR filters which must be kept clean. Clean panels with isopropanol only. OTHER SOLVENTS will damage the fiber and affect uniformity.

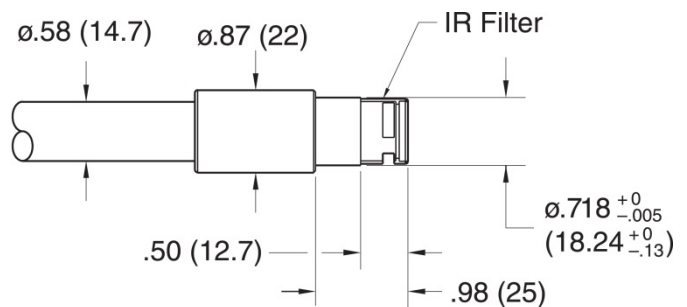
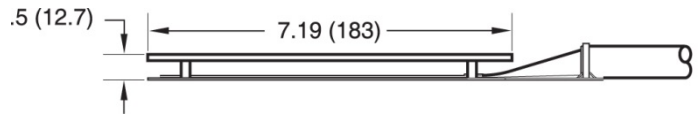
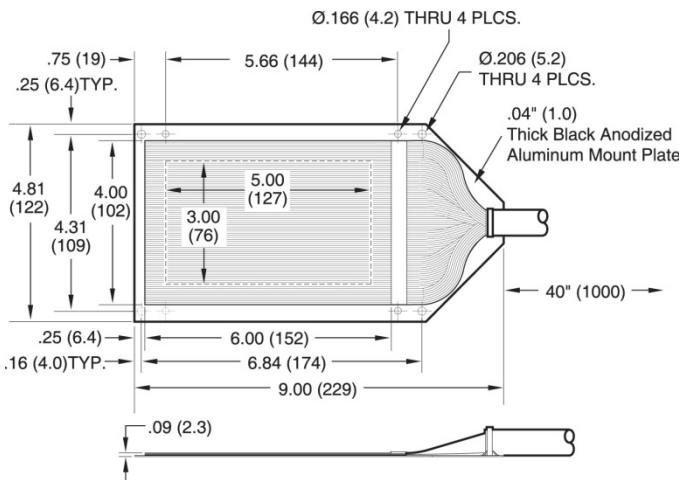


Bending Radius

A23020 PANELite® Backlight



A23010 PANELite® Backlight



Ø.39" ACTIVE FIBER DIAMETER

All specifications are subject to change without prior notice. This datasheet or any extracts thereof may only be used in other publications with express permission of SCHOTT. © SCHOTT North America, Inc.

Lighting and Imaging
SCHOTT North America, Inc.
 122 Charlton Street
 Southbridge, MA 01550
 USA

Phone: +1 (508) 765-9744
 Fax: +1 (508) 765-1299
 lightingimaging@us.schott.com
 www.us.schott.com/lightingimaging

SCHOTT
 glass made of ideas